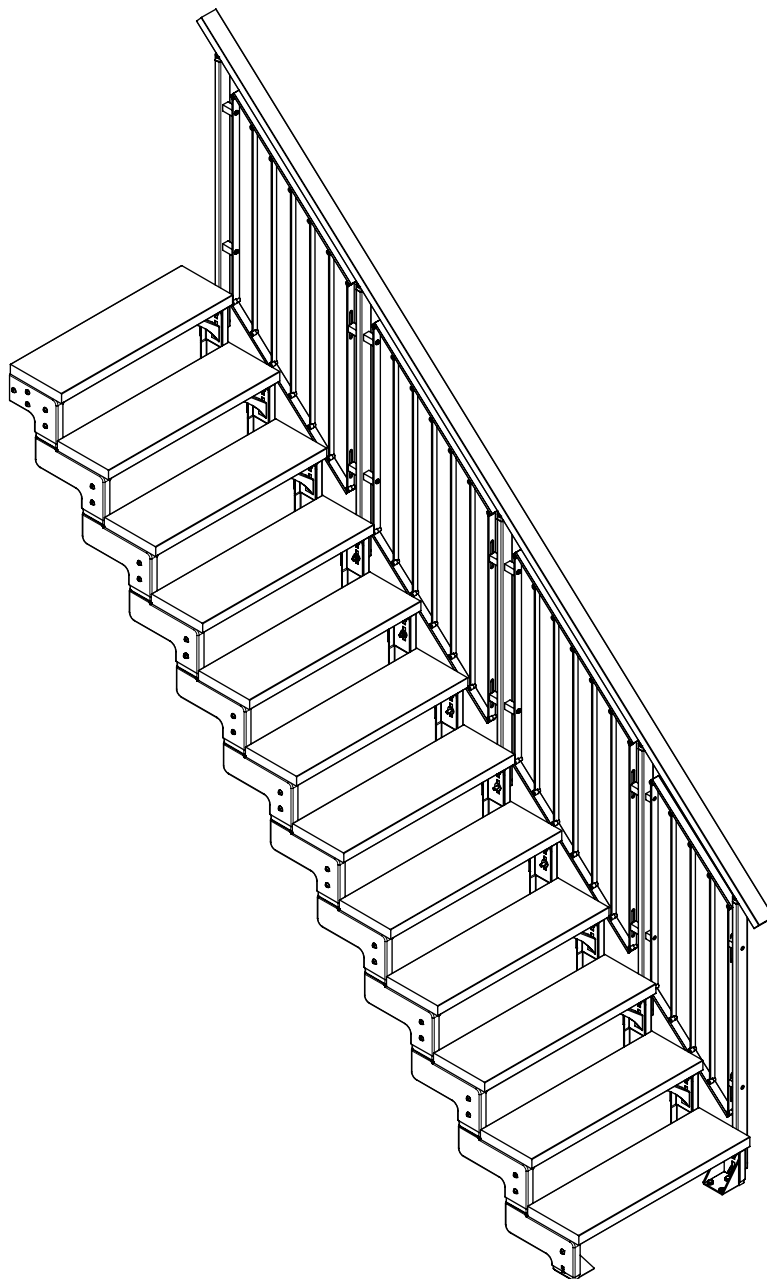


GARDENTOP

Nordic

Montageanleitung
Installation instruction



1068015		Starter-Set Start kit			
<p>1 2</p> <p>x 1 K1-41430 x 1 K1-41930</p>		<p>7 8</p> <p>x 1 K1-41911 x 1 K1-41910</p>		<p>5</p> <p>x 2 K2-41900</p>	
<p>6</p> <p>x 2 K1-41940</p>		<p>40</p> <p>x 14 K3-02045 M10 x 25</p>		<p>41</p> <p>x 2 K3-04110 Ø10</p>	
<p>42</p> <p>x 8 K3-04198 Ø10</p>		<p>43</p> <p>x 14 K3-03051 M10</p>		<p>44</p> <p>x 12 K3-08001 Ø12 x 60</p>	
<p>45</p> <p>x 12 K3-06070 Ø10 x 60</p>		<p>59</p> <p>x 12 K3-06269 Ø6 x 35</p>		<p>63</p> <p>x 4 K3-05022 M8 x 20</p>	
<p>64</p> <p>x 12 K3-04010 Ø10,5</p>					

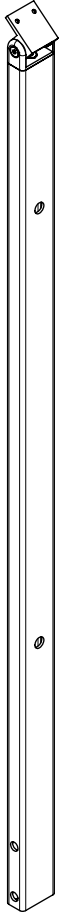
1068016		Ergänzungs-Set 1 step kit			
<p>3 4</p> <p>x 1 K1-41921 x 1 K1-41920</p>		<p>40</p> <p>x 4 K3-02045 M10 x 25</p>		<p>42</p> <p>x 4 K3-04198 Ø10</p>	
		<p>43</p> <p>x 4 K3-03051 M10</p>			
		<p>59</p> <p>x 6 K3-06269 Ø6 x 35</p>			

1068020		Stufen-Winkel Step support 1 step			
<p>If more than 6 steps: Add 9 + 10</p> <p>Wenn mehr als 6 Stufen: hinzufügen 9 + 10</p>		<p>9 10</p> <p>x 1 K1-41060 x 1 K1-41061</p> <p>Max. 6 Satz sets</p>		<p>40</p> <p>x 2 K3-02045 M10 x 25</p>	
		<p>43</p> <p>x 2 K3-03051 M10</p>		<p>58</p> <p>x 2 K3-02386 M8 x 40</p>	
		<p>59</p> <p>x 2 K3-06269 Ø6 x 35</p>		<p>61</p> <p>x 2 K3-03047 M8</p>	
		<p>65</p> <p>x 2 K3-04099 Ø10</p>			

1075360

**Treppenpfosten
Staircase post**

(20)



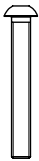
x 1
K2-75360

(70)



x 2
K3-06302
Ø4 x 20

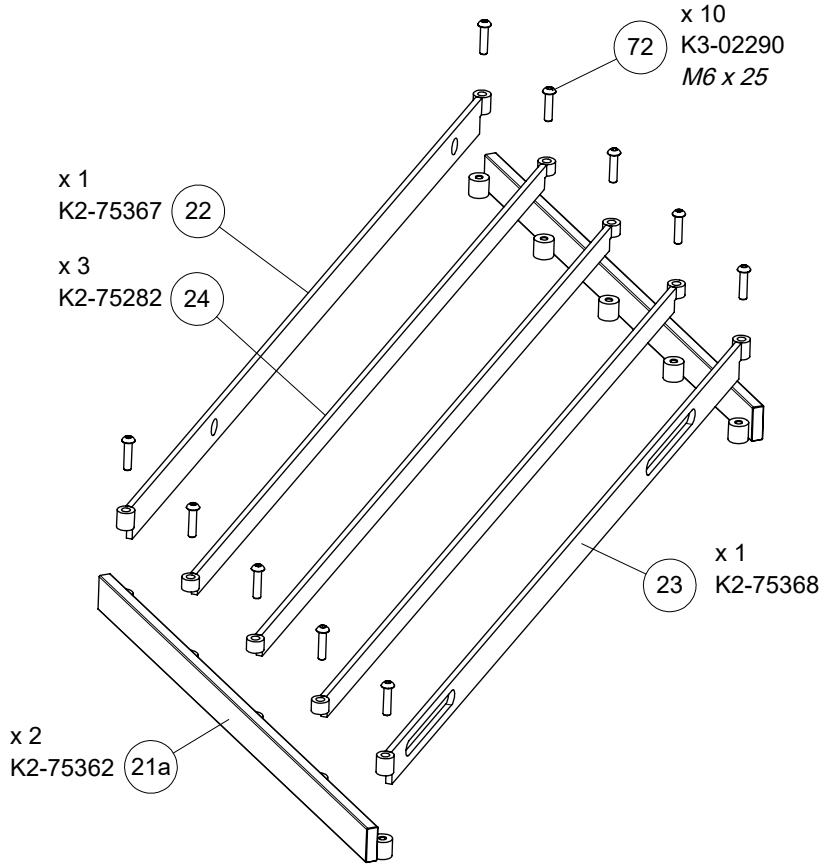
(71)



x 12
K3-02375
M10 x 75

1075282

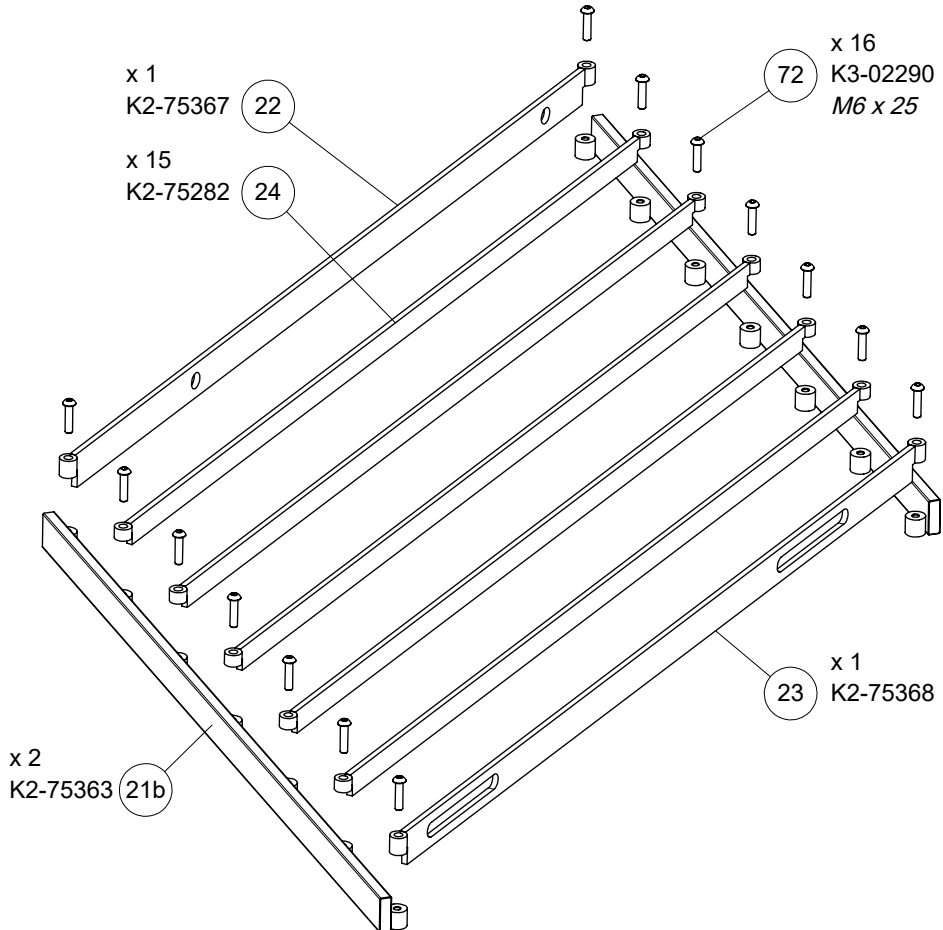
**Geländerfüllungen 2 Stufen
Banister filling 2 steps**





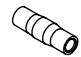





x 1
K7-75392


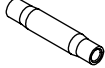






1075283

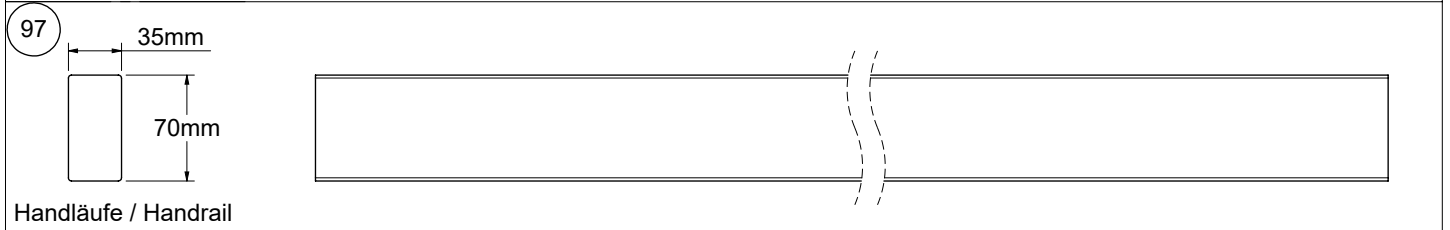
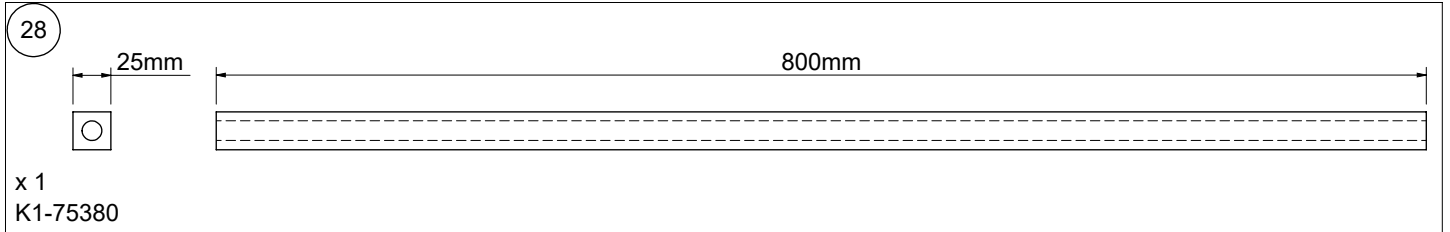
**Geländerfüllungen 3 Stufen
Banister filling 3 steps**

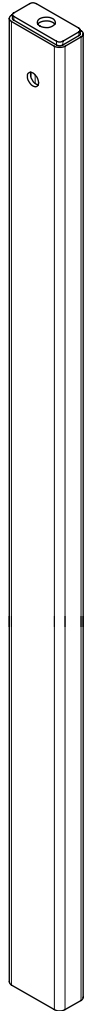
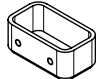









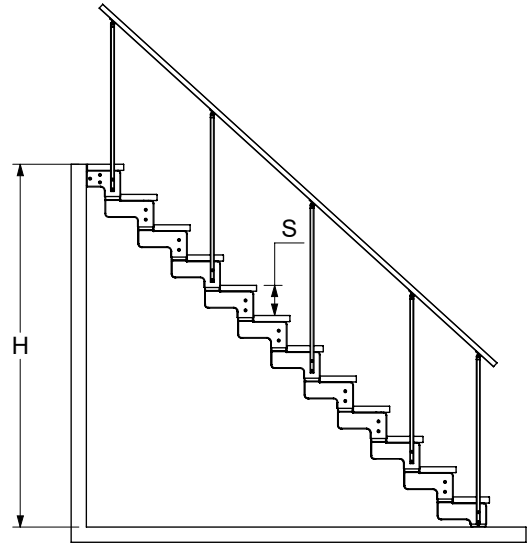
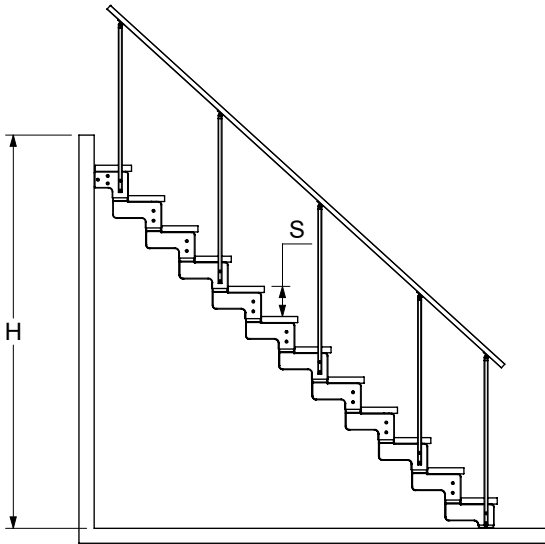
x 1
K7-75392


K7-75391	(76)		(80)		(82)		(83)		(91)	
	x 2 K3-02316 M8 x 16		x 2 K3-02336 M8 x 40		x 4 K1-75391 38mm		x 2 K3-02305 M8 x 50		x 4 K1-75390	


K7-75392	(75)		(81)		(84)		(89)		(91)	
	x 2 K3-02313 M8 x 12		x 2 K1-75392 62mm		x 2 K3-02307 M8 x 75		x 2 K3-02306 M8 x 60		x 4 K1-75390	

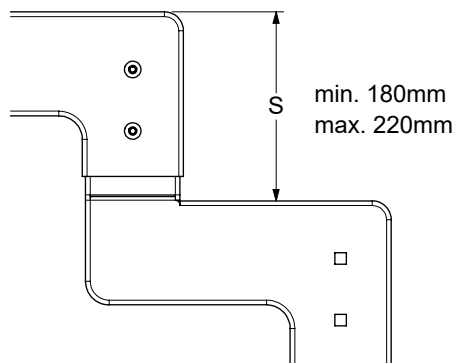


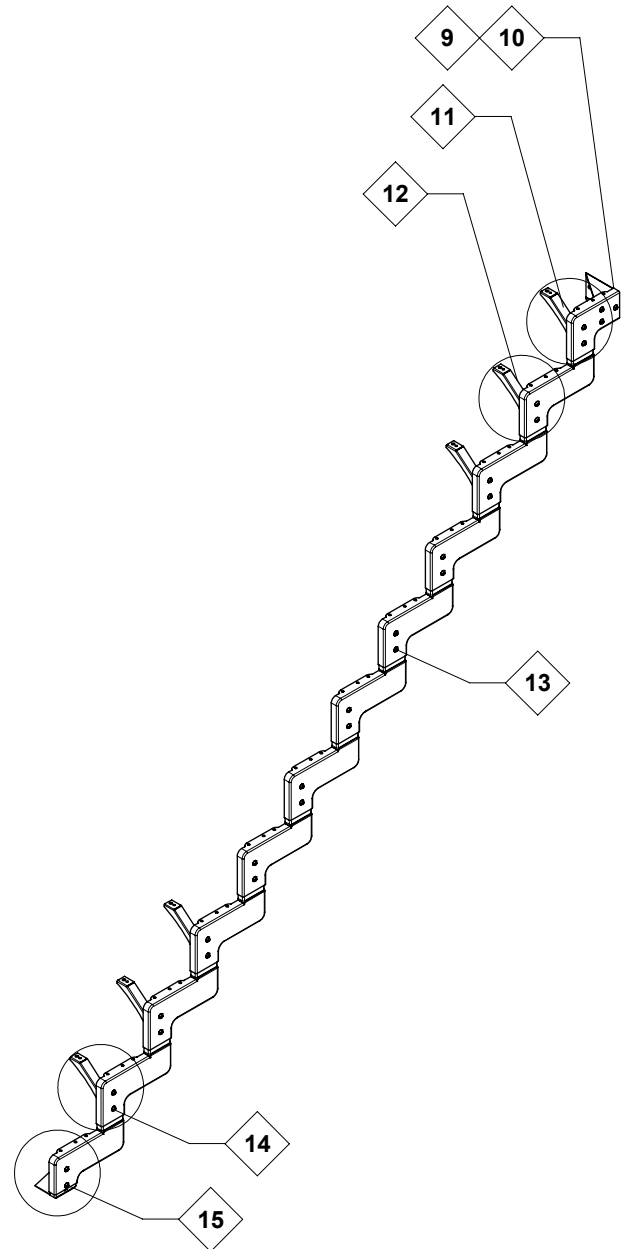
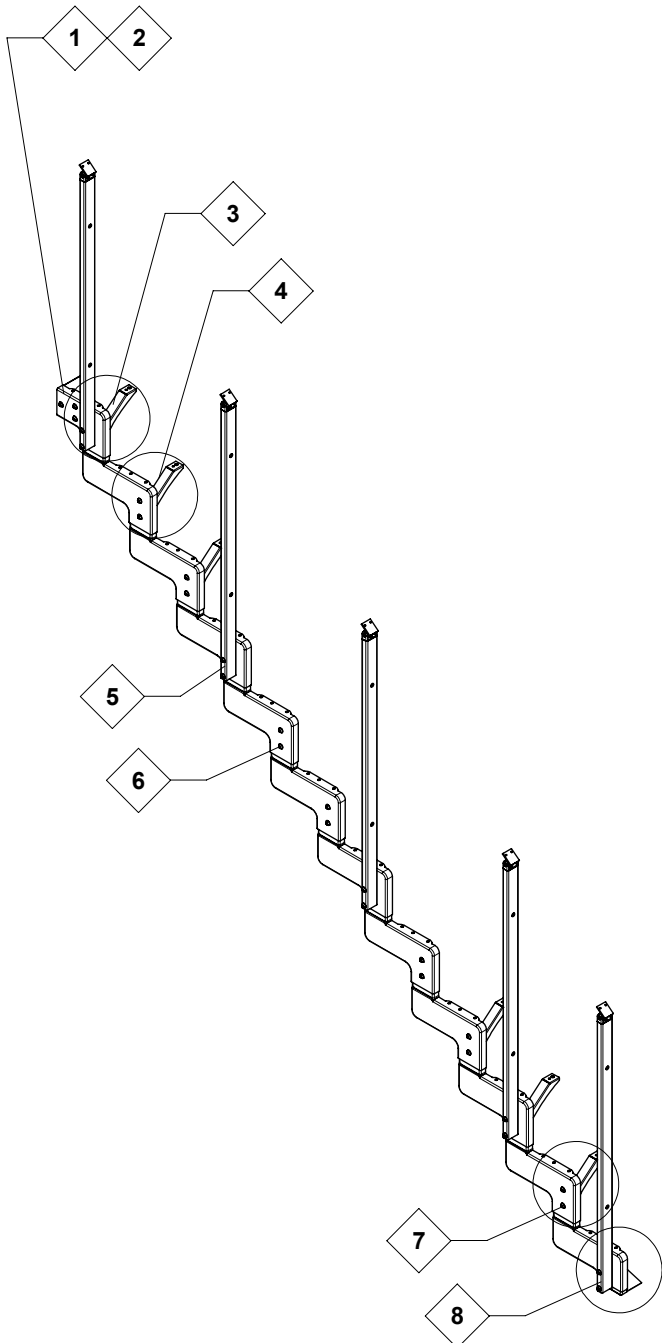
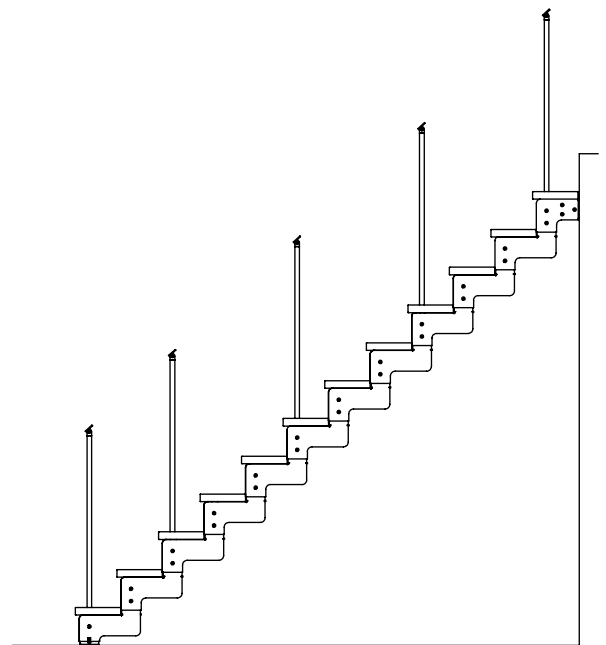
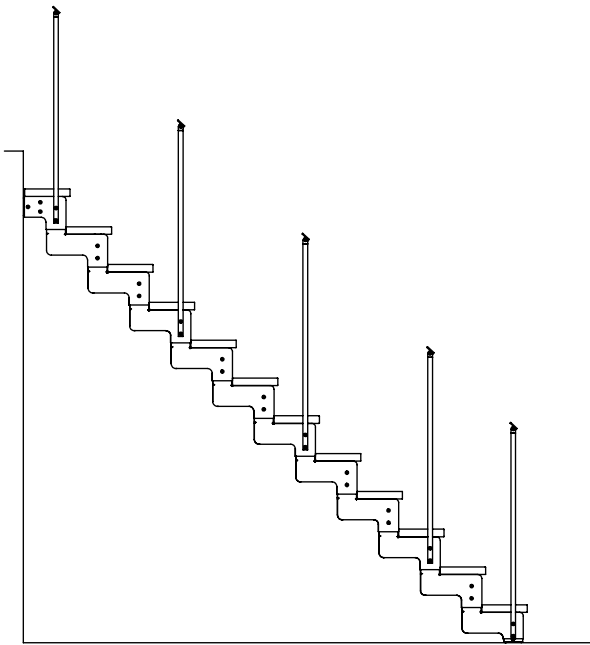
1068098	Unterstützung Support					OPTION
	(24)	(26)	(27)	(41)	(43)	(52)
		 x 1 K1-41955	 x 1 K1-41956	 x 1 K3-04110 Ø10	 x 1 K3-03051 M10	 x 1 K3-02375 M10 x 75
	(53)	(54)	(55)			
	 x 2 K3-05007 M5 x 5	 x 1 K3-08002 Ø8 x 40	 x 1 K3-06032 Ø6 x 60			
x 1 K1-41950						

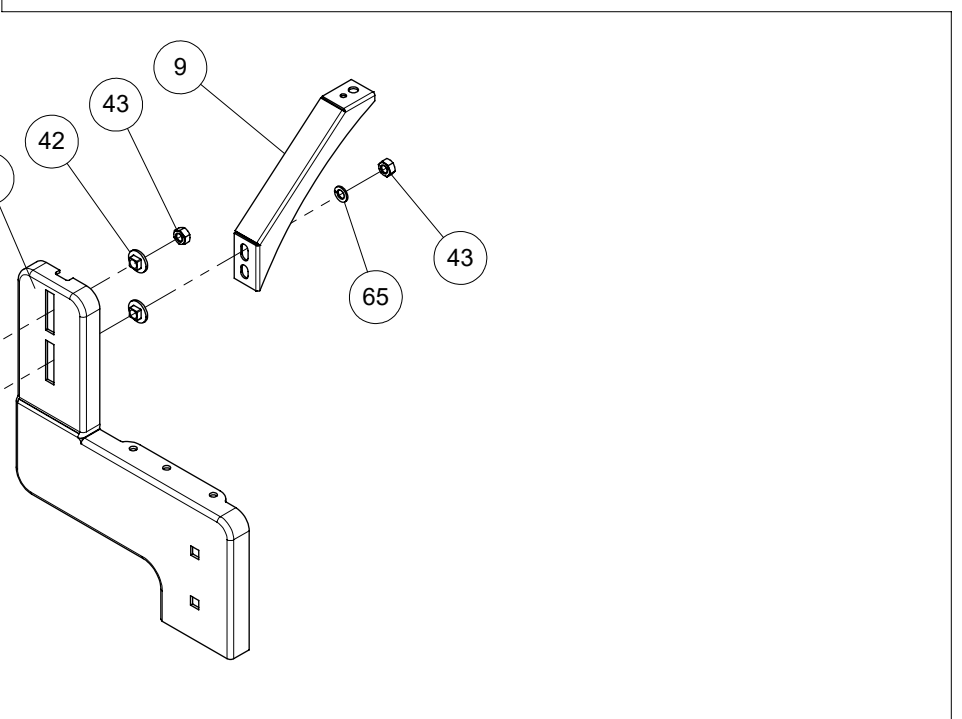
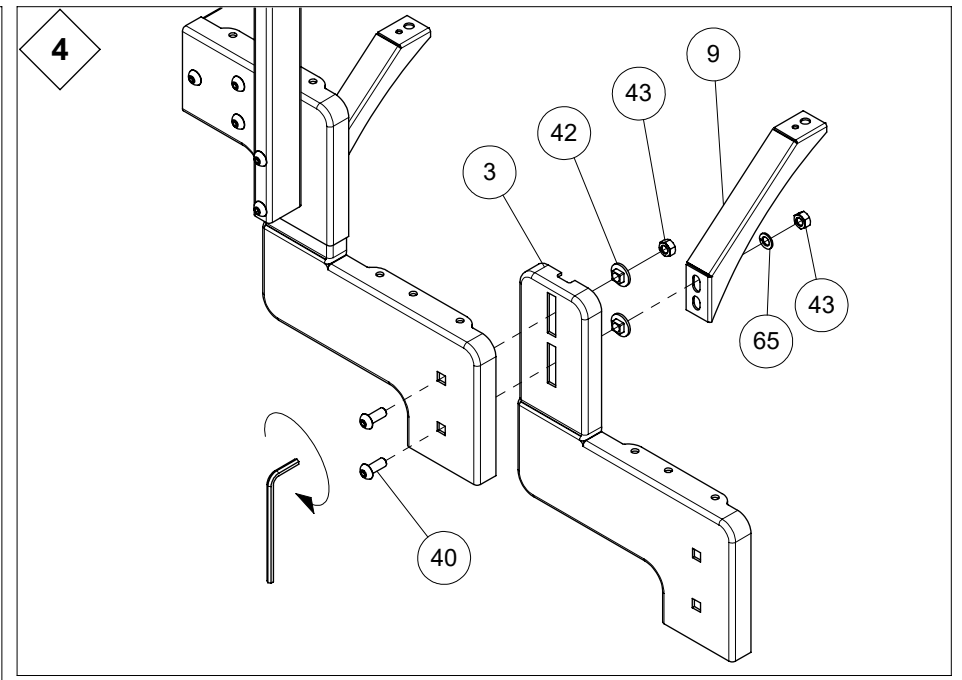
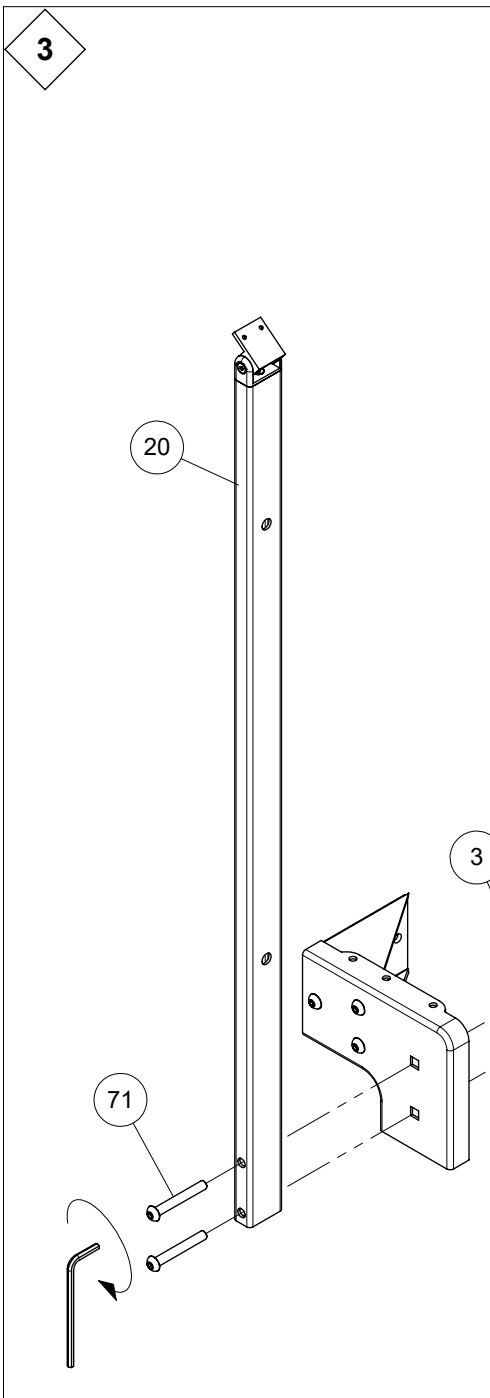
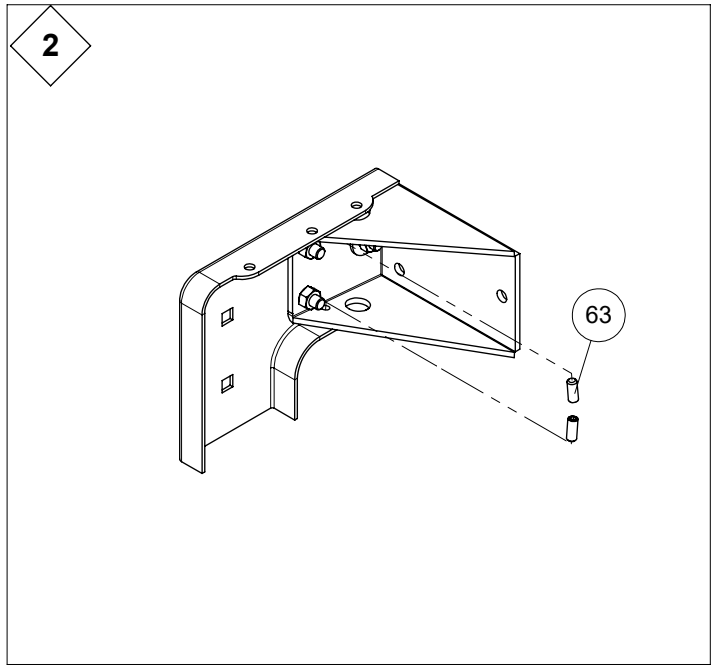
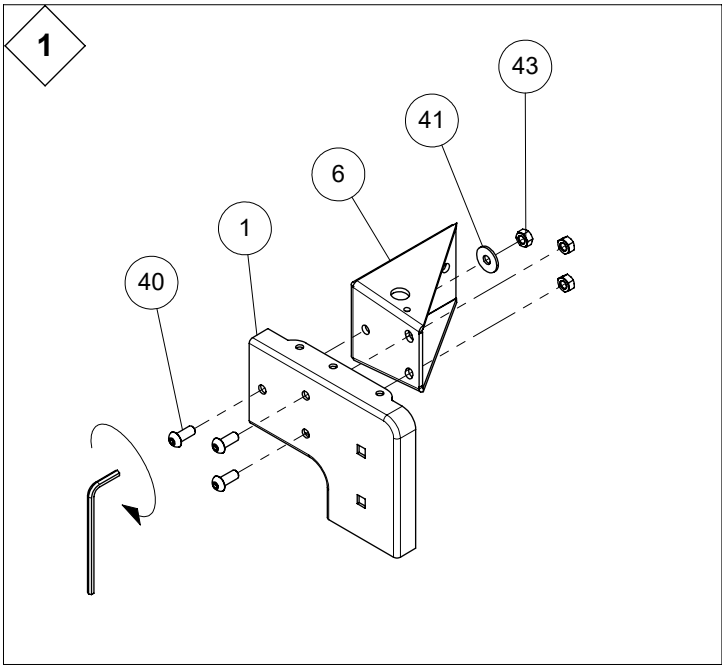


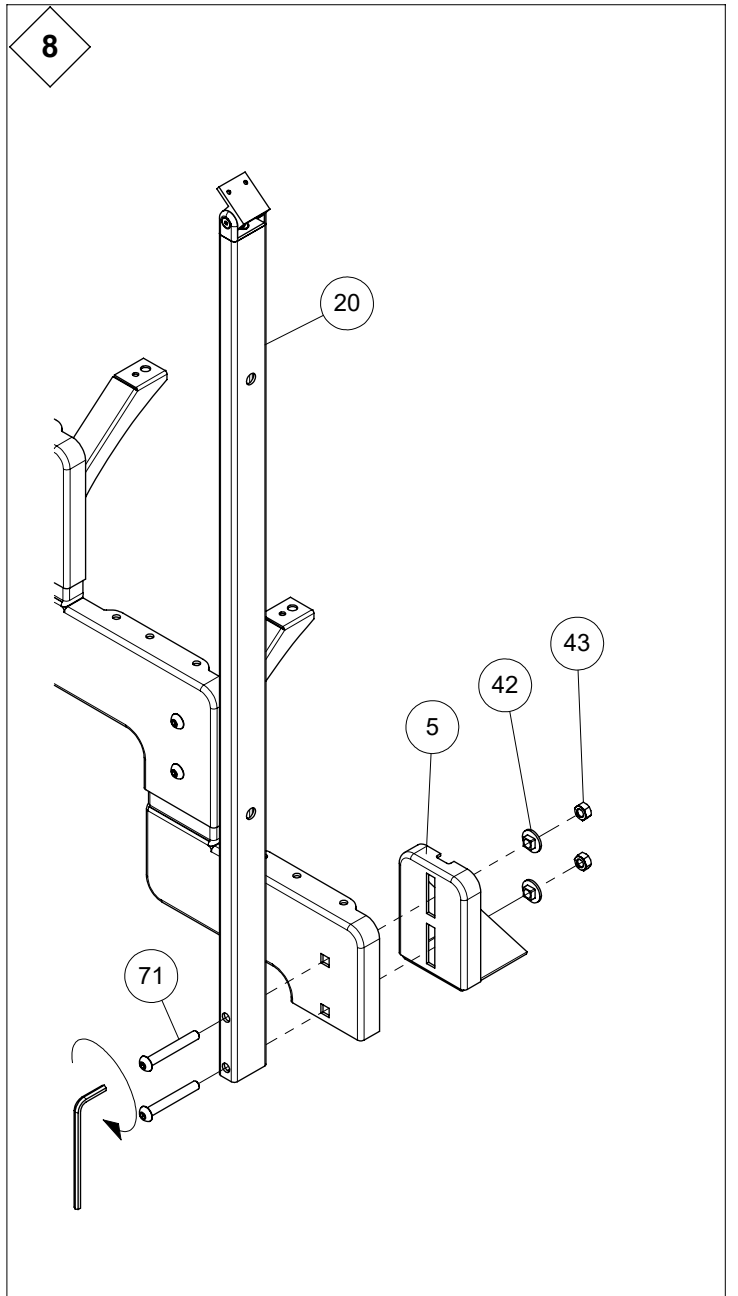
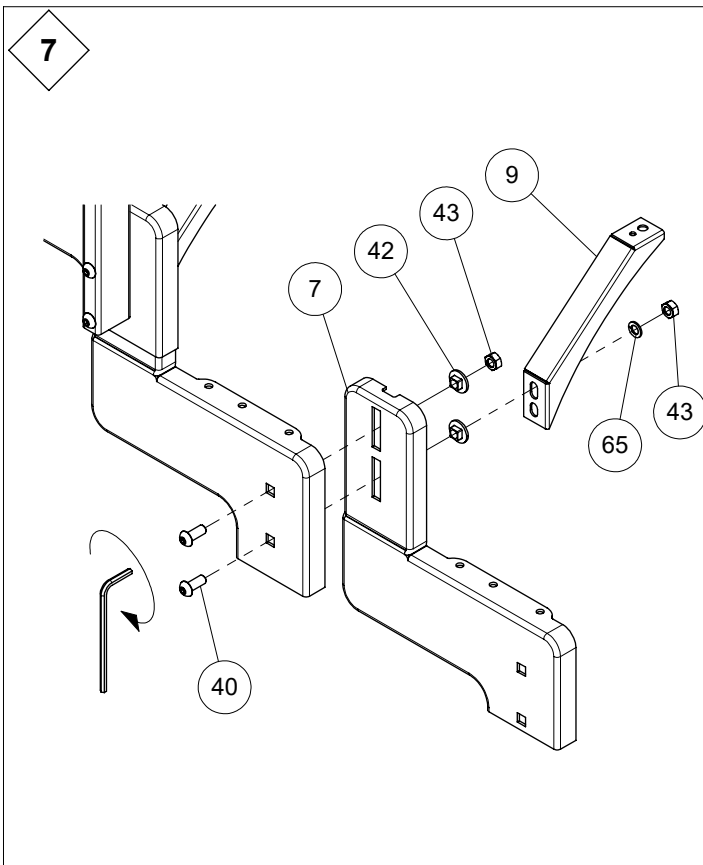
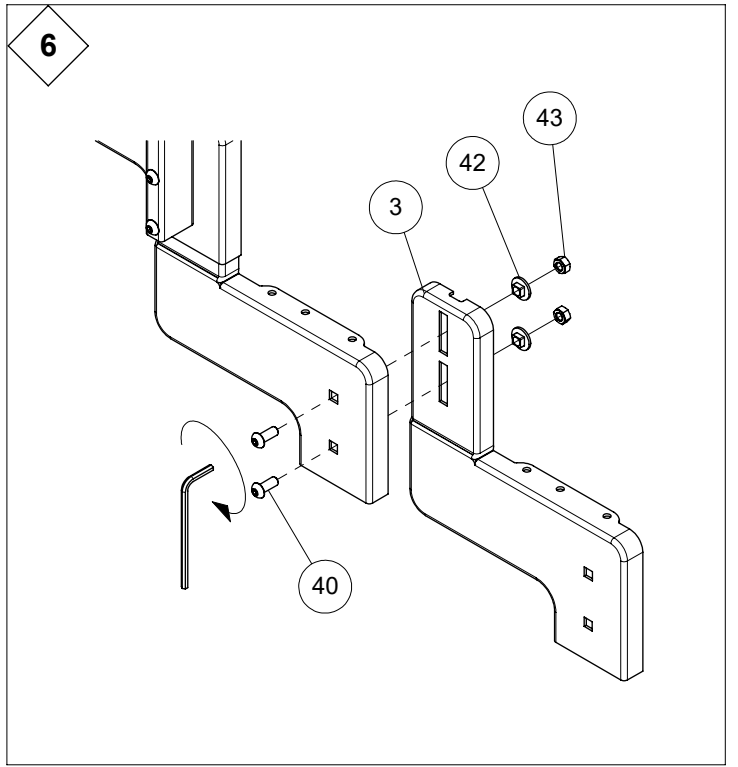
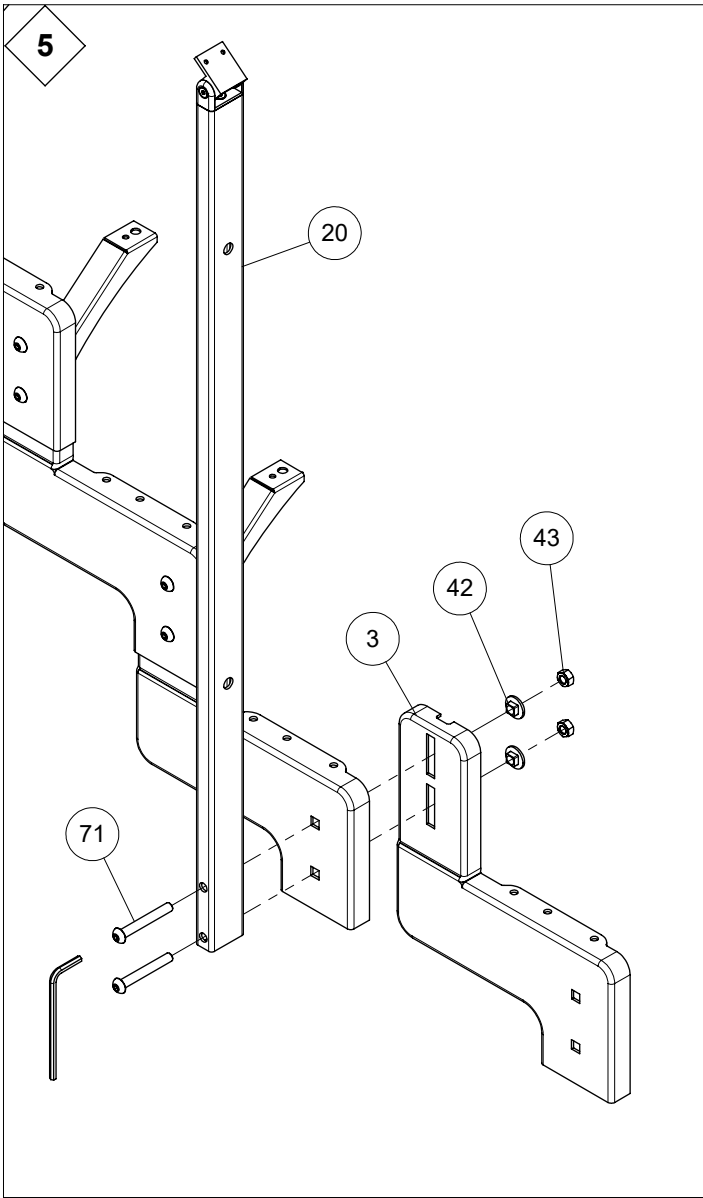
H	S				
	180 mm	190 mm	200 mm	210 mm	220 mm
2	540	570	600	630	660
3	720	760	800	840	880
4	900	950	1000	1050	1100
5	1080	1140	1200	1260	1320
6	1260	1330	1400	1470	1540
7	1440	1520	1600	1680	1760
8	1620	1710	1800	1890	1980
9	1800	1900	2000	2100	2200
10	1980	2090	2200	2310	2420
11	2160	2280	2400	2520	2640
12	2340	2470	2600	2730	2860

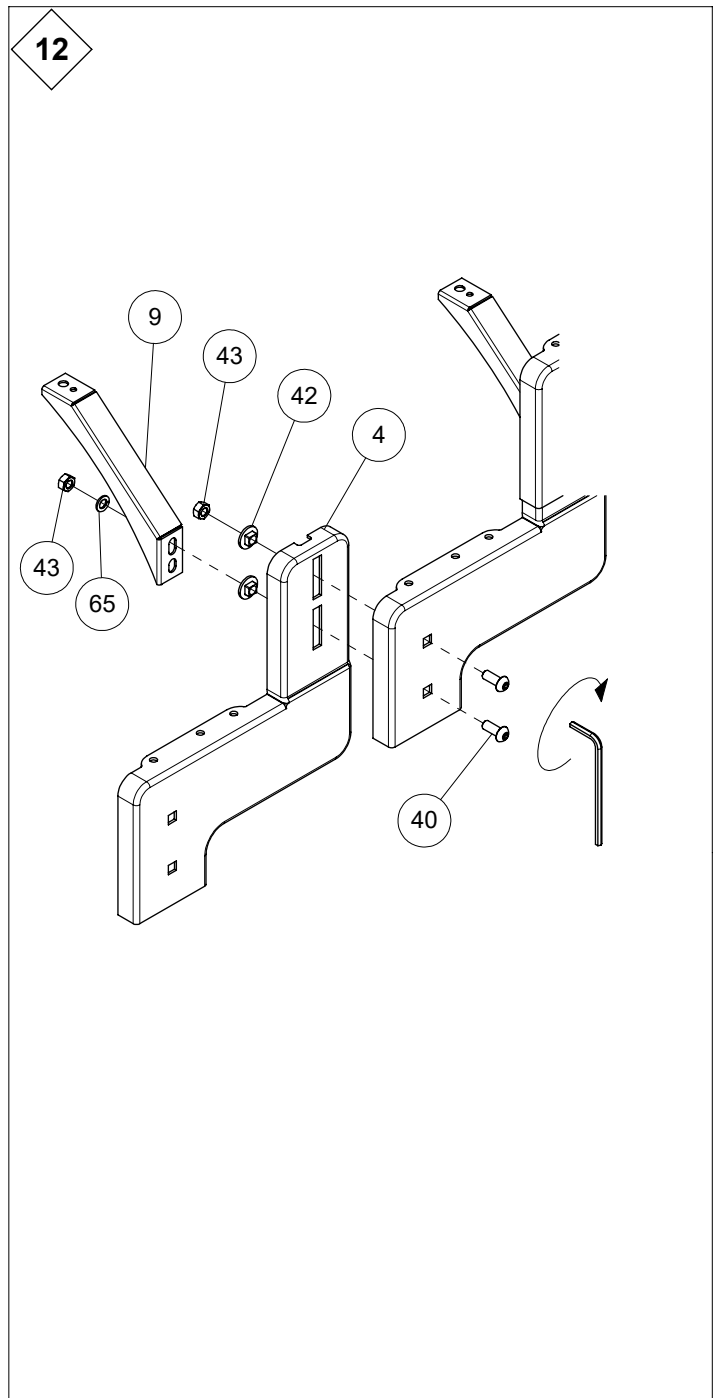
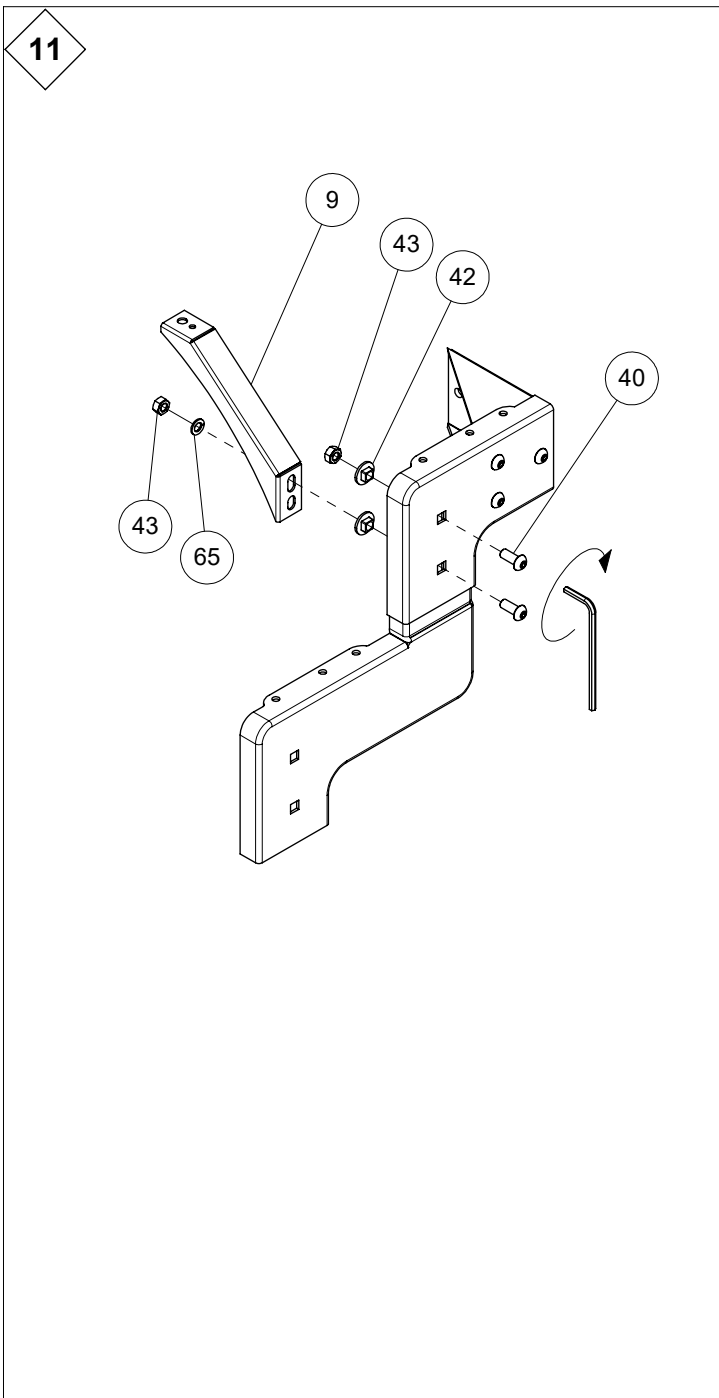
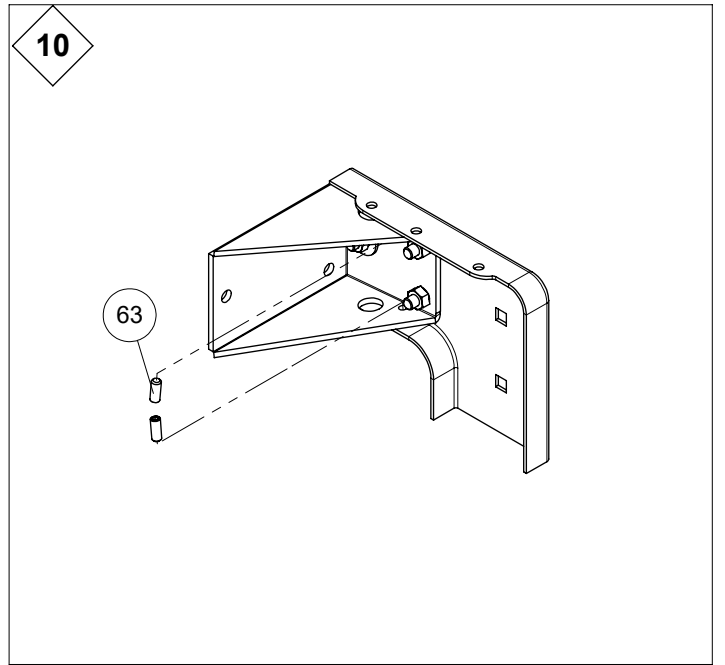
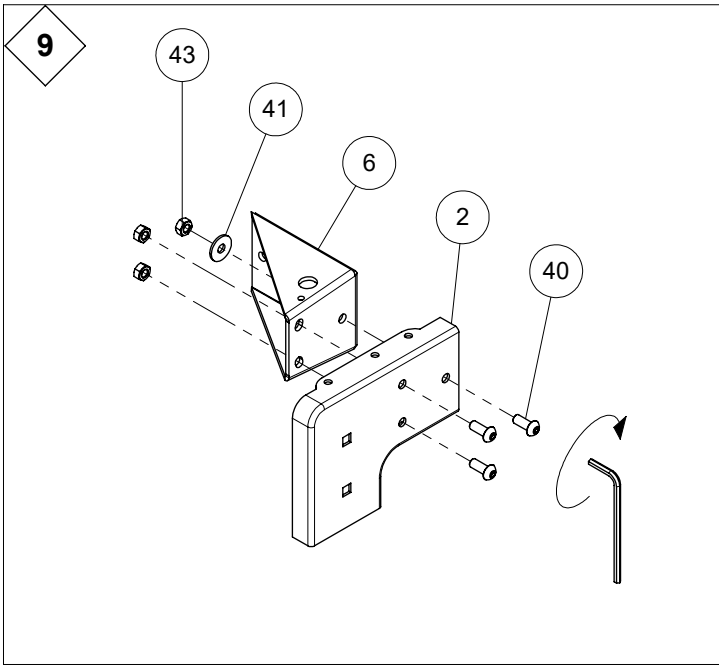
H	S				
	180 mm	190 mm	200 mm	210 mm	220 mm
2	360	380	400	420	440
3	540	570	600	630	660
4	720	760	800	840	880
5	900	950	1000	1050	1100
6	1080	1140	1200	1260	1320
7	1260	1330	1400	1470	1540
8	1440	1520	1600	1680	1760
9	1620	1710	1800	1890	1980
10	1800	1900	2000	2100	2200
11	1980	2090	2200	2310	2420
12	2160	2280	2400	2520	2640



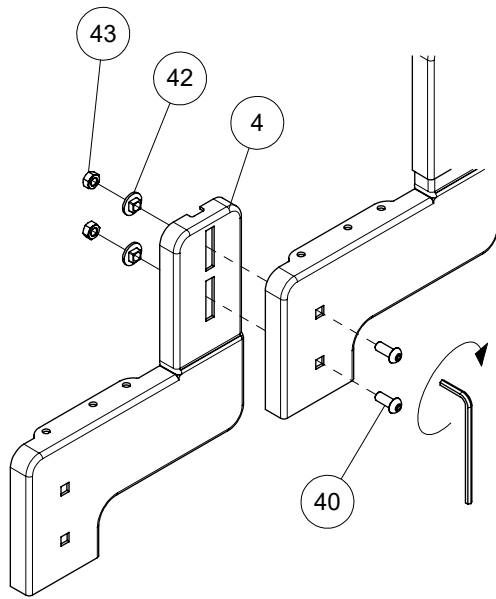




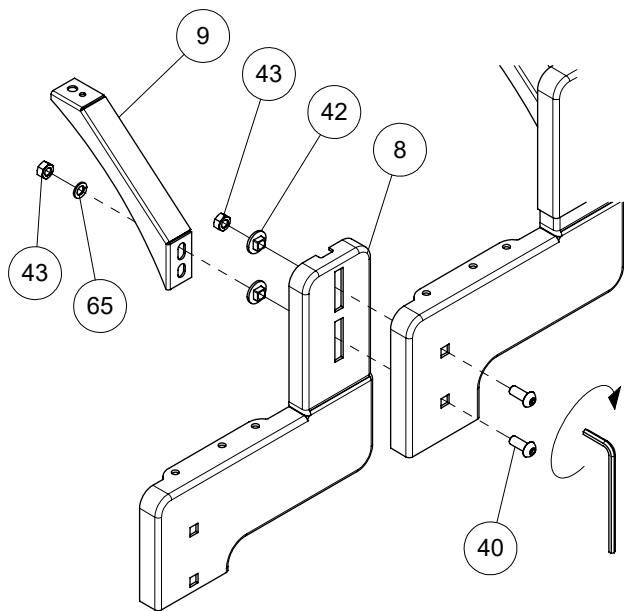




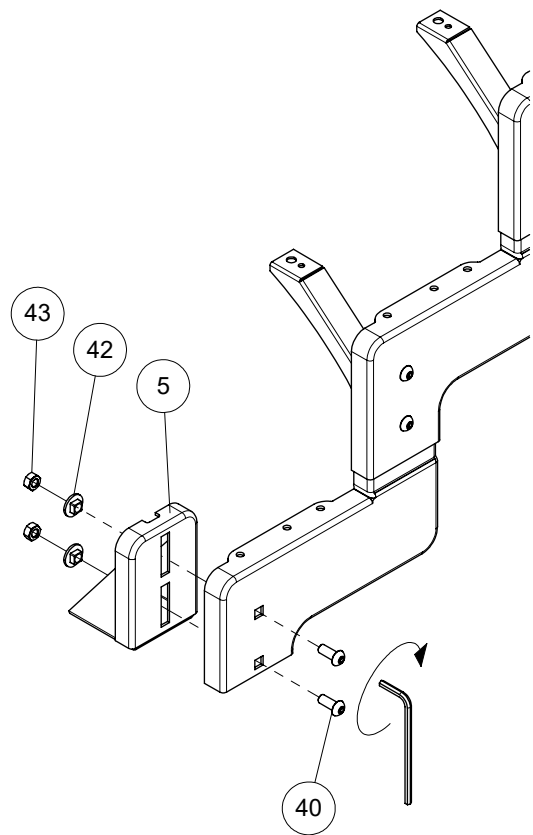
13



14

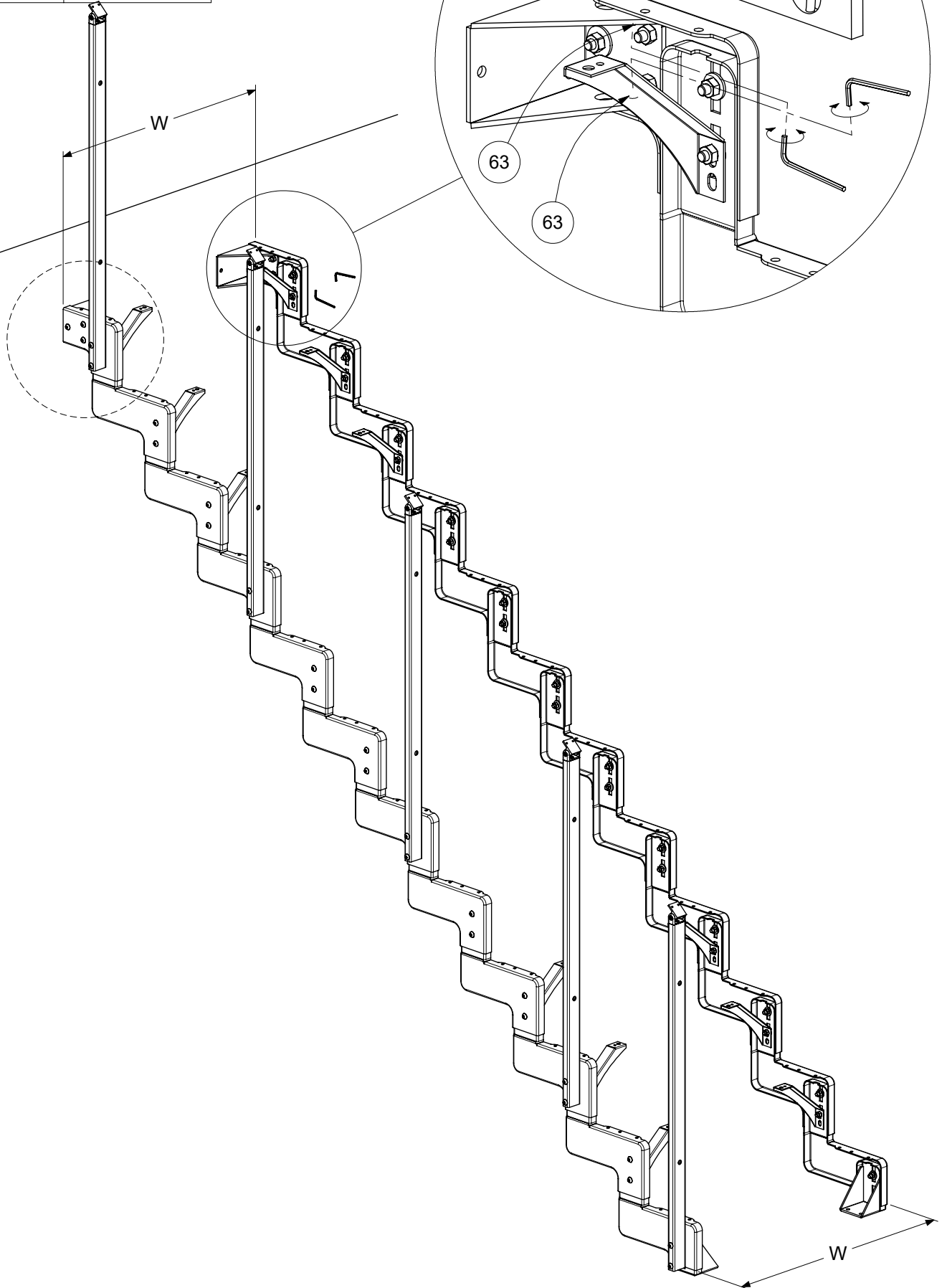


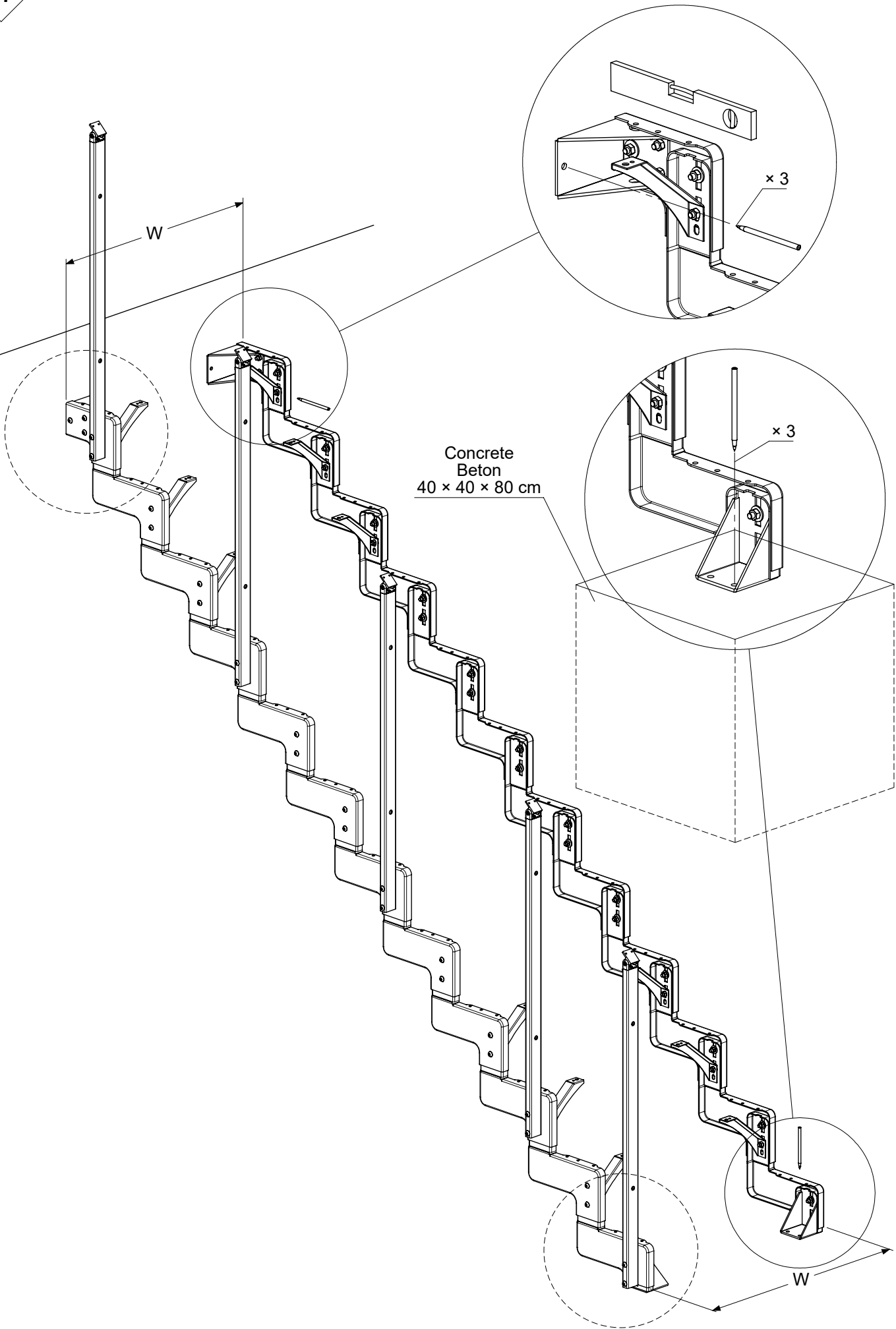
15

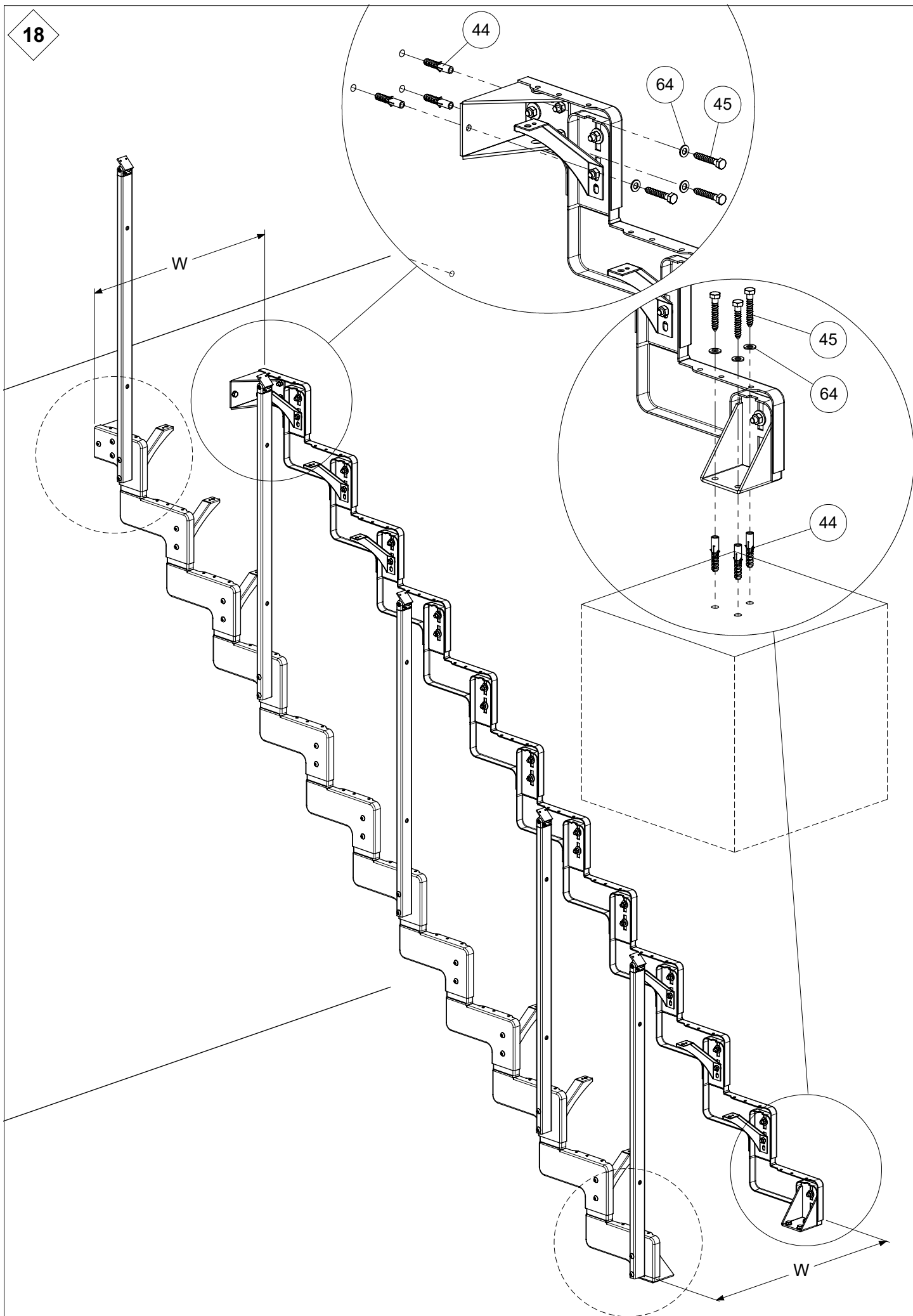


16

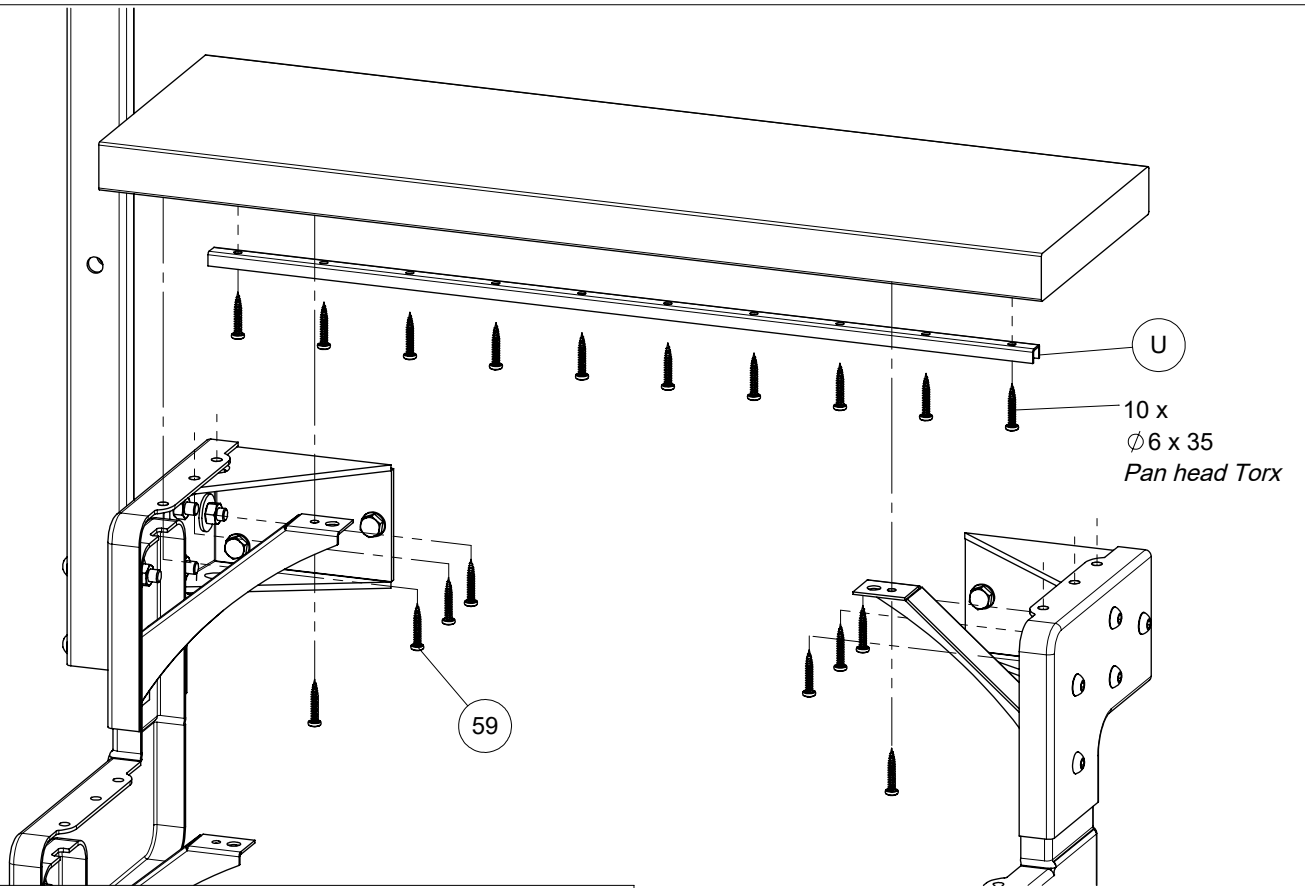
Stufe / Step	W
80 cm	803 mm
100 cm	1003 mm



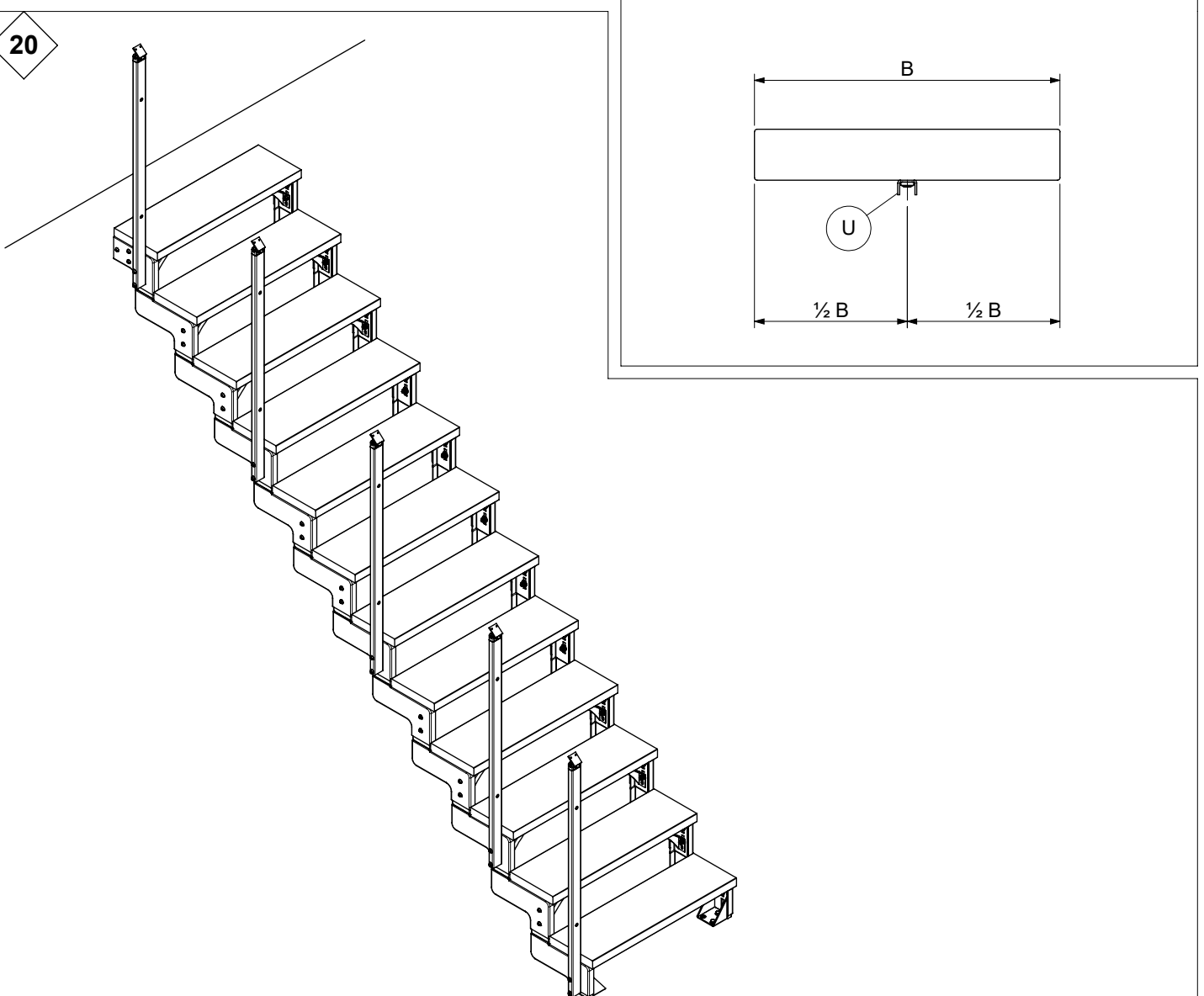


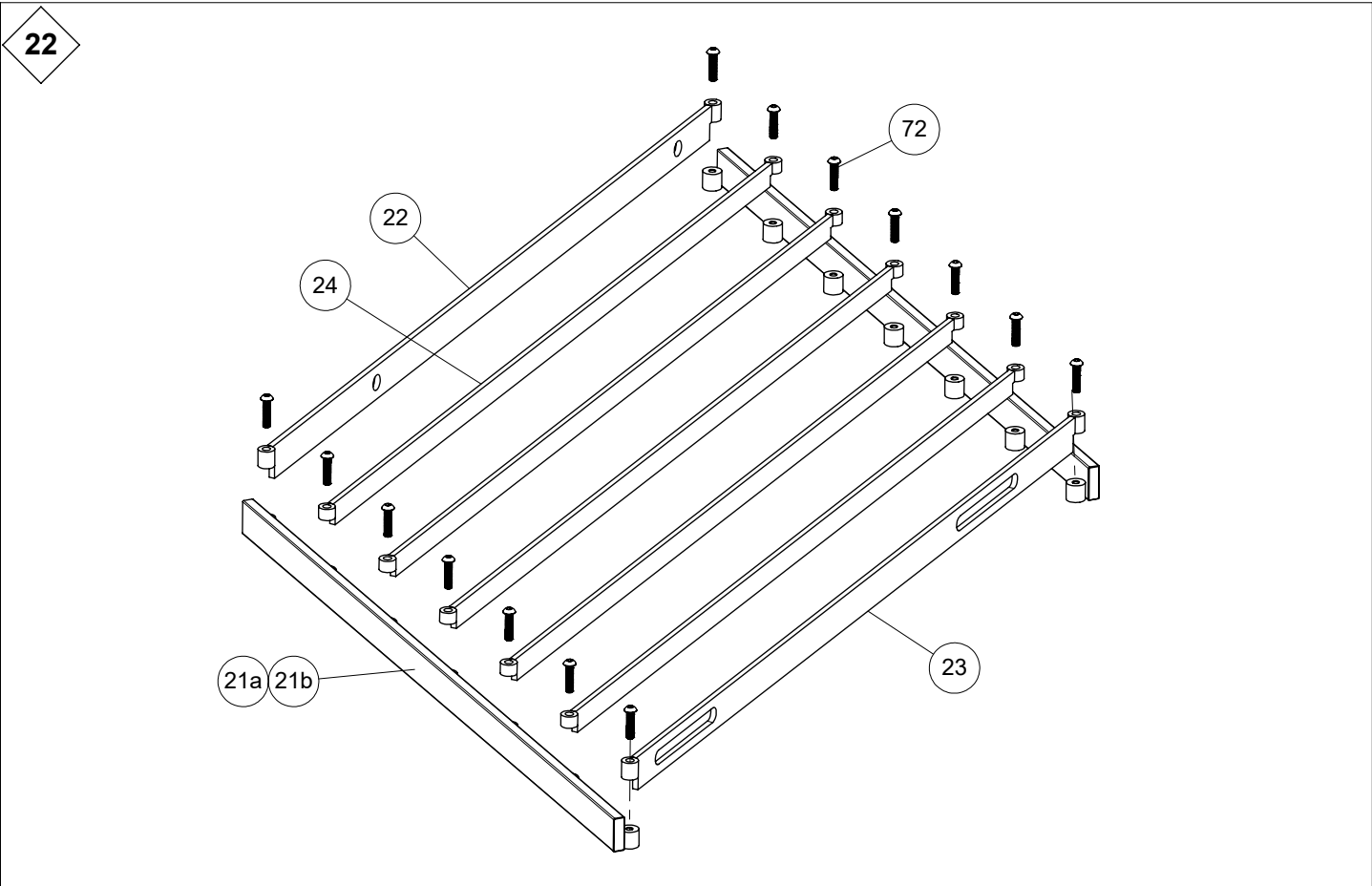
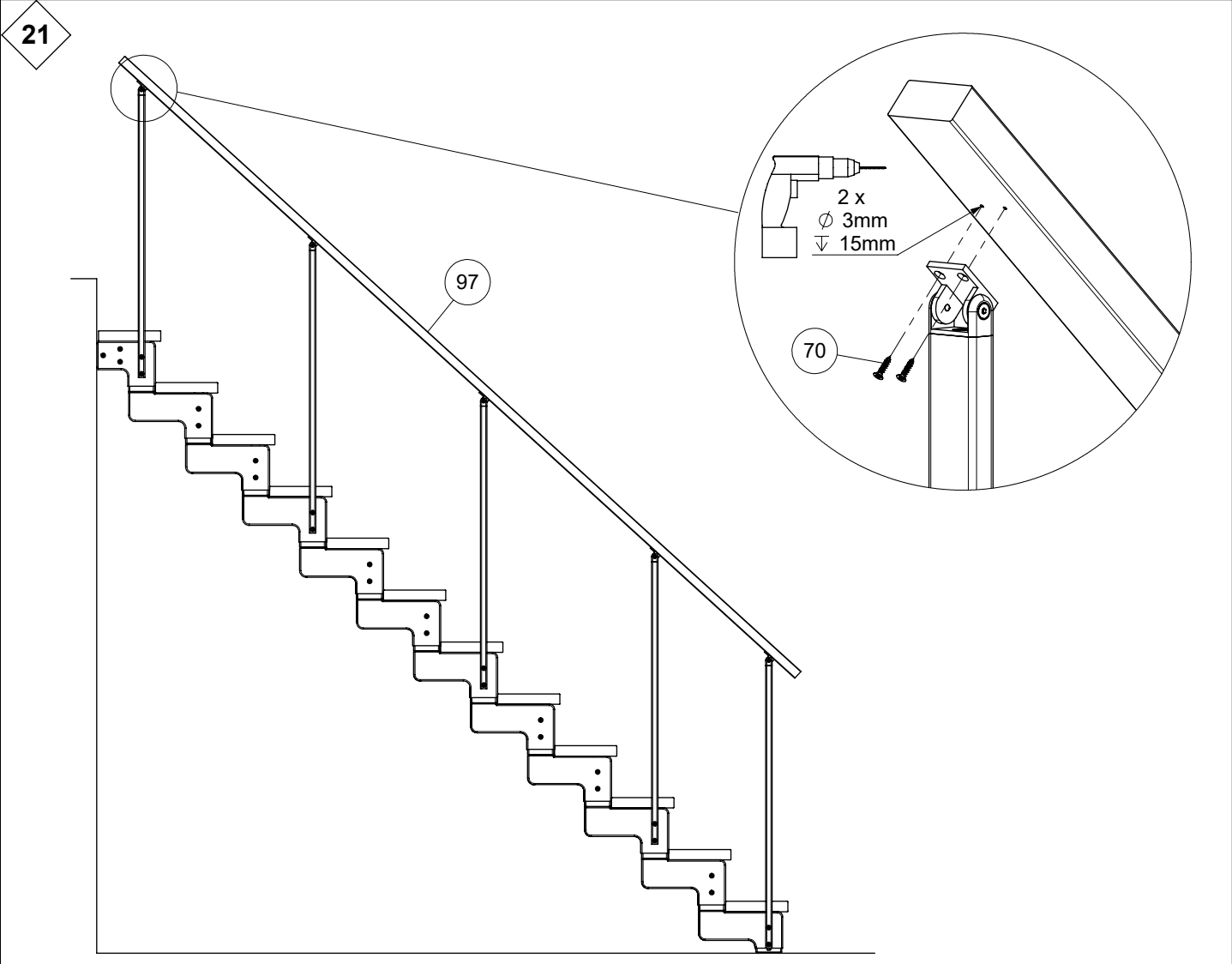


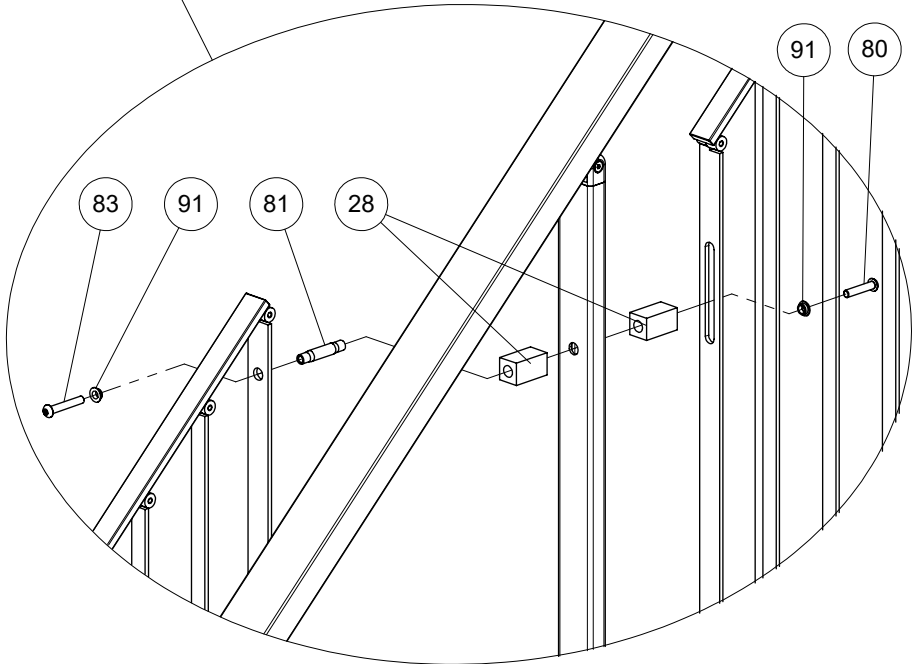
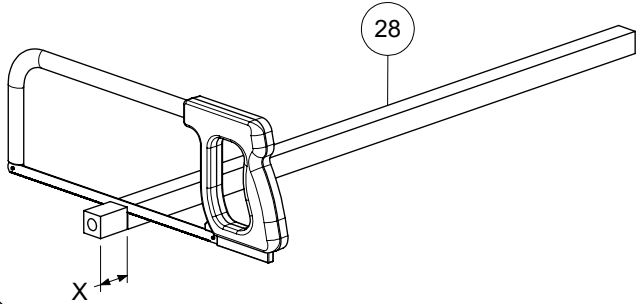
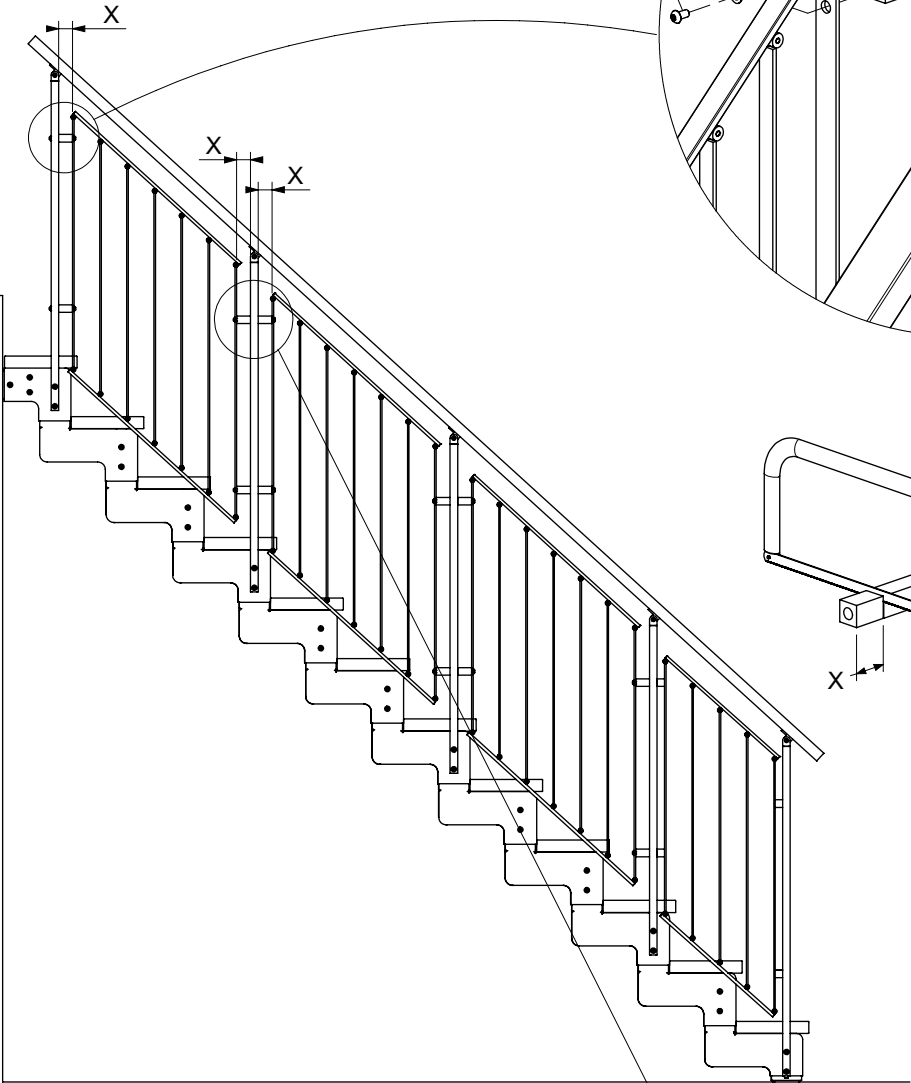
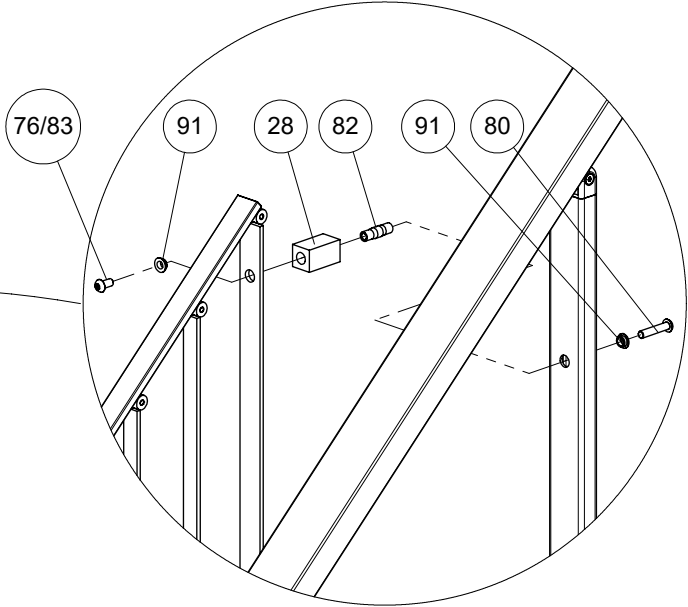
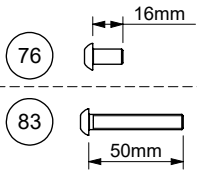
19



20



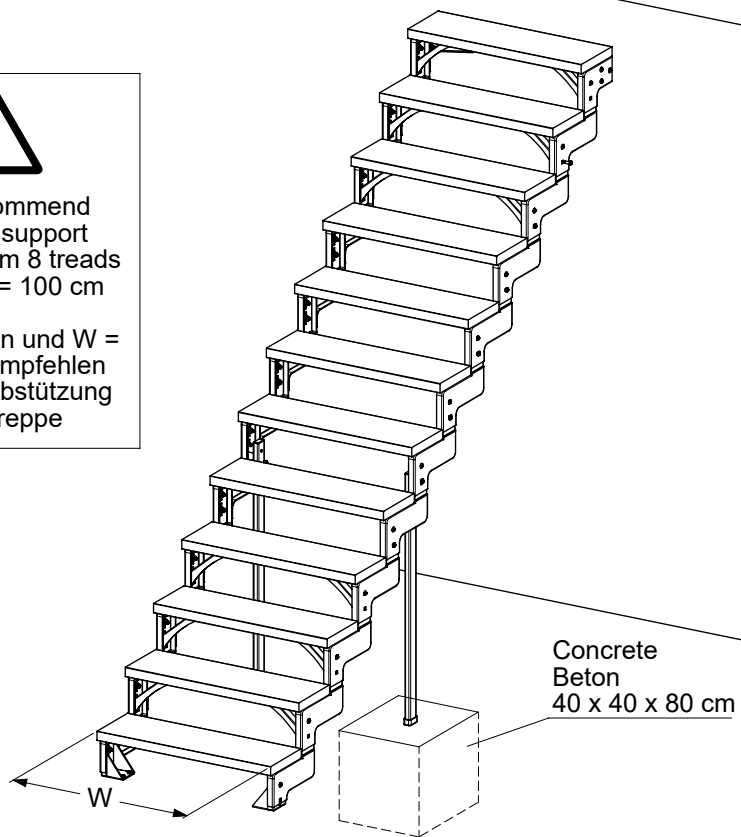






We recommend
using a support
column from 8 treads
and if $W = 100$ cm

Ab 8 Stufen und $W =$
100 cm empfehlen
wir eine Abstützung
der Treppe



Concrete
Beton
40 x 40 x 80 cm